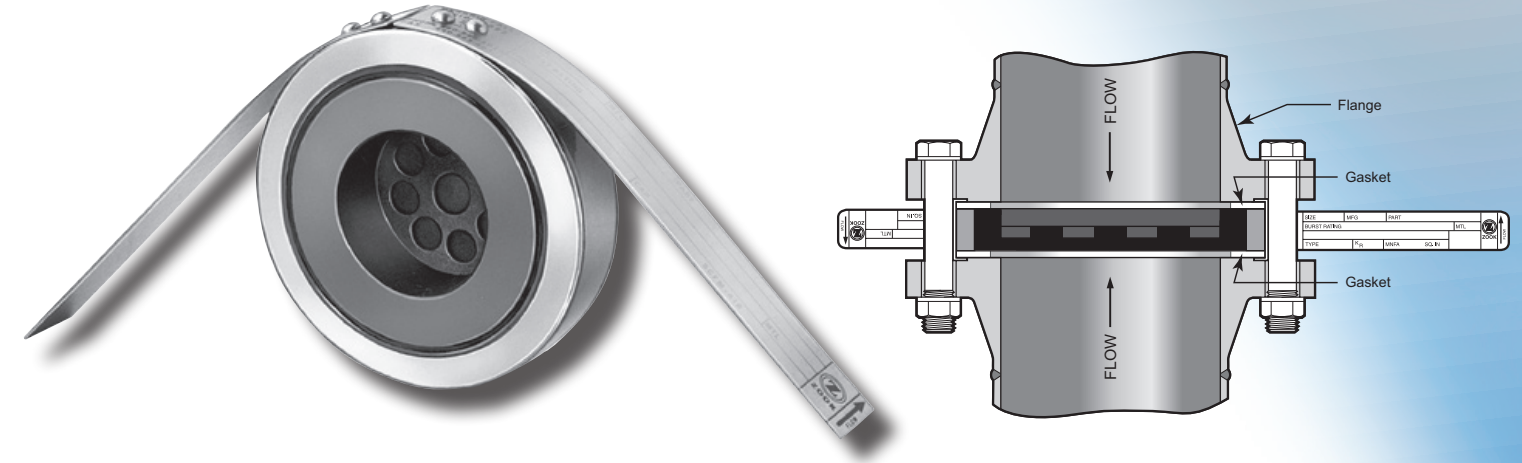


Two-Way Type Graphite Rupture Disks

Two-Way Type Graphite Rupture Disks

Features

- Dual rated to protect against two different pressures in opposite directions
- Applications include protection of storage tanks against both excess vacuum and overpressure when single vessel entry is required
- Sizes 1-1/2" (38 mm) thru 24" (610 mm) diameters
- Designed to fit industry standard flanges ASME B16.5, ISO and JIS
- Burst ratings 0.25 psig (0.02 barg) to 1000 psig (68.95 barg) or higher
- 0% manufacturing range
- Operating pressures to 90% of the disk's marked burst pressure. Contact ZOOK for operating ratio for burst pressures below 40 psig (2.76 barg)
- Temperature ratings -290°F to +430°F (-179°C to +221°C). Contact ZOOK for higher temperature ratings. The specified temperature shall be at the disk location at the time when the disk is expected to rupture
- Carbon steel armor standard, 316SS optional
- Furnished complete with PTFE gaskets attached. Other gasket materials are available
- Generally a minimum differential of 10 psi is required between burst ratings. Contact ZOOK for other burst rating combinations
- PED (CE) compliance available



Specifications

Disk Size					Thickness*		Outside Diameter																Burst Ratings									
NPS	DN	Actual ID			(Flange Group 1)		ASME B16.5 Class		DIN & ISO				ISO ONLY		JIS						Low Pressure Direction		High Pressure Direction									
					ASME CI 150 PN6 / 10 / 16 / 20 JIS 5K / 10K / 16K		150		PN6		PN10		PN16		PN20		5K		10K		16K		20K		Min	Max	Min	Max				
in	mm	mm	in	mm	in	mm	in	mm	in	mm	in	mm	in	mm	in	mm	in	mm	in	mm	in	mm	in	mm	in	mm	psig	barg			psig	barg
1-1/2	38	40	1.5	38	1.13	28.7	3.25	82.5	3.39	86.1	3.62	91.9	3.62	91.9	3.25	82.5	3.15	80.0	3.39	86.1	3.39	86.1	3.39	86.1	3.39	86.1	7.00	0.48	Full Vacuum	▲	150.00	10.34
2	50	50	2	51	1.13	28.7	4.00	101.6	3.78	96.0	4.21	106.9	4.21	106.9	4.00	101.6	3.54	89.9	3.98	101.0	3.98	101.0	3.98	101.0	3.98	101.0	3.00	0.21	Full Vacuum	▲	150.00	10.34
2-1/2	64	65	2.5	64	1.13	28.7	4.75	120.6	4.59	116.5	5.00	127.0	5.00	127.0	4.75	120.6	4.52	114.8	4.76	120.9	4.76	120.9	4.76	120.9	4.76	120.9	3.00	0.21	Full Vacuum	▲	125.00	8.62
3	76	80	3	76	1.13	28.7	5.25	133.3	5.20	132.0	5.59	141.9	5.59	141.9	5.25	133.3	4.96	125.9	5.16	131.0	5.39	136.9	5.39	136.9	5.39	136.9	2.00	0.14	Full Vacuum	▲	100.00	6.89
4	102	100	4	102	1.13	28.7	6.75	171.4	5.98	151.8	6.38	162.0	6.38	162.0	6.75	171.4	5.75	146.0	6.14	155.9	6.38	162.0	6.38	162.0	6.38	162.0	1.50	0.10	Full Vacuum	▲	100.00	6.89
5	127	125	5	127	1.13	28.7	7.75	196.8	7.16	181.8	7.55	191.7	7.55	191.7	7.75	196.8	7.12	180.8	7.36	186.9	7.87	199.9	7.87	199.9	7.87	199.9	1.50	0.10	Full Vacuum	▲	100.00	6.89
6	152	150	6	152	1.13	28.7	8.63	219.2	8.15	207.0	8.58	217.9	8.58	217.9	8.63	219.2	8.31	211.0	8.54	216.9	9.25	234.9	9.25	234.9	9.25	234.9	1.00	0.07	Full Vacuum	▲	100.00	6.89
8	203	200	8	203	1.38	35.0	10.88	276.3	10.31	261.8	10.75	273.0	10.75	273.0	10.88	276.3	10.12	257.0	10.51	266.9	11.20	284.4	11.20	284.4	11.20	284.4	0.50	0.03	Full Vacuum	▲	100.00	6.89
10	254	250	10	254	1.78	45.2	13.25	336.5	12.48	316.9	12.91	327.9	12.95	328.9	13.25	336.5	12.68	322.0	12.99	329.9	13.90	353.0	-	-	0.25	0.02	Full Vacuum	▲	100.00	6.89		
12	305	300	12	305	2.25	57.1	16.00	406.4	14.69	373.1	14.88	377.9	15.12	384.0	16.00	406.4	14.45	367.0	14.76	374.9	15.87	403.1	-	-	0.25	0.02	Full Vacuum	▲	75.00	5.17		

Notes:
 *Overall thickness dimension includes two 1/8" (3.18 mm) thick gaskets
 ▲ Generally a minimum differential of 10 psig is required between burst ratings. Contact ZOOK for other burst rating combinations
 • Contact ZOOK Engineering for disk sizes above 12" (305 mm)
 • All pressures shown are based on an ambient temperature of 72°F (22°C)
 • Not all minimum/maximum pressure and temperature combinations are available. Please contact ZOOK for more information
 • Unless otherwise noted, stated MNFA and Kr values apply to the rupture disk only and does not include the addition of external vacuum supports or insulated units